

Model A-G1/P-G1
(J001/J003)
(J500/J502)

PARTS CATALOG

First edition, September 2004

Ricoh Company, LTD.

Model A-G1/P-G1
(J001/J003)
(J500/J502)

Model A-G1/P-G1 (J001/J003)

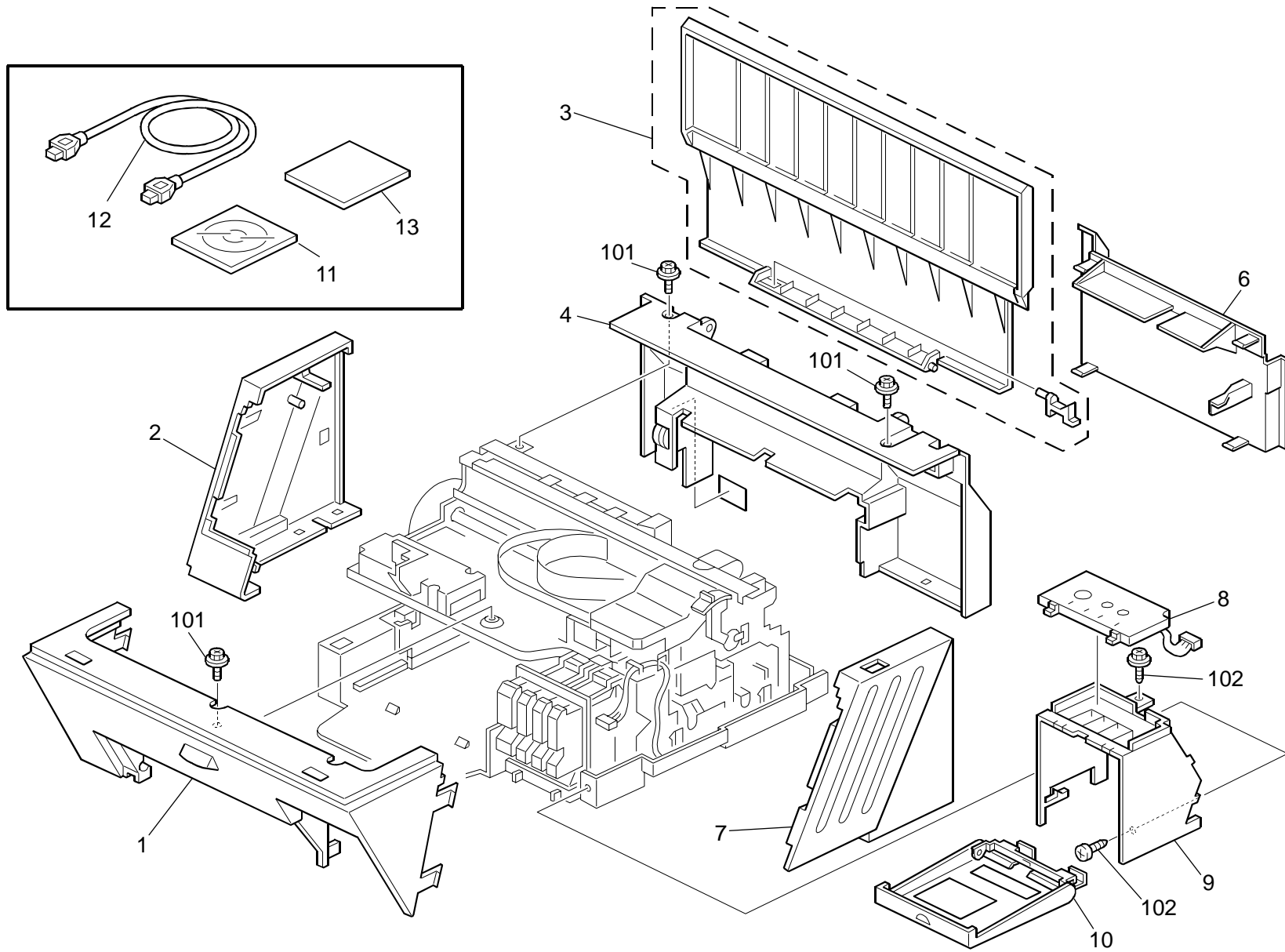
PARTS CATALOG

This catalog gives the numbers and names of parts on this machine.

1.EXTERIOR (J001/J003)	2
2.PAPER CASSETTE (J001/J003)	4
3.FRAME SECTION (J001/J003).....	6
4.PAPER FEED UNIT 1 (J502)	8
5.PAPER FEED UNIT 2 (J502)	10
6.DUPLEX UNIT (J500)	12
PARTS INDEX	15

September ,15 ' 2004

1.EXTERIOR (J001/J003)

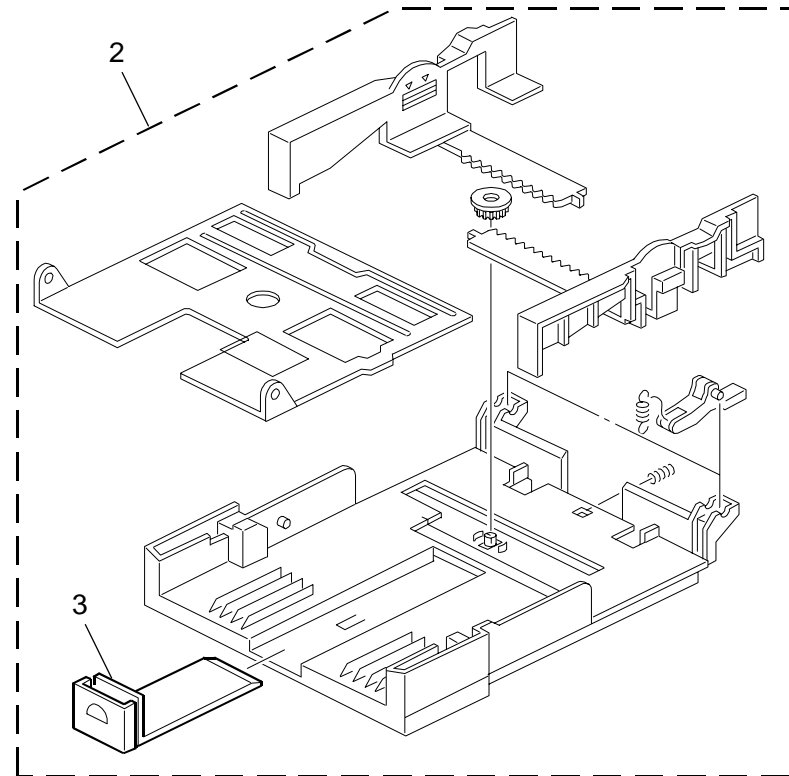
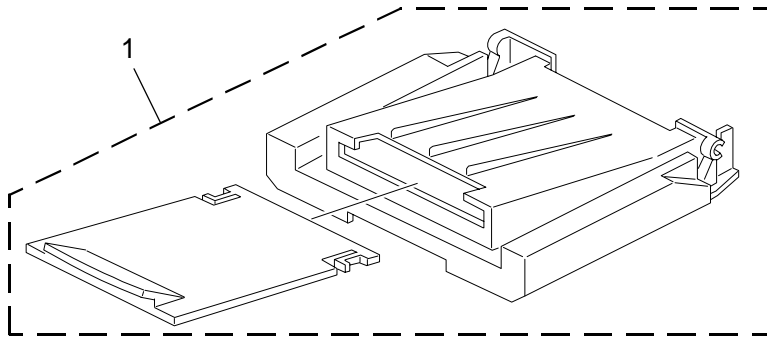


1.EXTERIOR (J001/J003)

Index No.	Part No.	Description	Q'ty Per Assembly
1	J001 0158	Front Cover (J001)	1
1	J003 0161	Front Cover (J003)	1
2	J001 1528	Left Cover (J001)	1
2	J003 1517	Left Cover (J003)	1
3	J001 0157	Upper Cover (J001)	1
3	J003 0159	Upper Cover (J003)	1
4	J001 1532	Rear Cover (J001)	1
4	J003 1519	Rear Cover (J003)	1
6	J001 1531	Rear Outer Cover	1
7	J001 1529	Right Cover	1
8	J001 0156	Operation Panel Unit (J001)	1
8	J003 0162	Operation Panel Unit (J003)	1
9	J001 1530	Cartridge Upper Cover (J001)	1
9	J003 1518	Cartridge Upper Cover (J003)	1
10	J001 1534	Cartridge Front Cover (J001)	1
10	J003 1521	Cartridge Front Cover (J003)	1
11	J001 6622	CD-ROM Driver Manual (J001)	1
11	J003 6622	CD-ROM Driver Manual (J003)	1
12	J001 5452	USB Cable	1
13	J001 6621	Set Up Guide (J001)	1
13	J003 6621	Set Up Guide (J003)	1

Index No.	Part No.	Description	Q'ty Per Assembly
101	0451 3006N	Tapping Screw - 3x6	
102	0452 3008N	Tapping Screw - M3x8	

2.PAPAER CASSETTE (J001/J003)



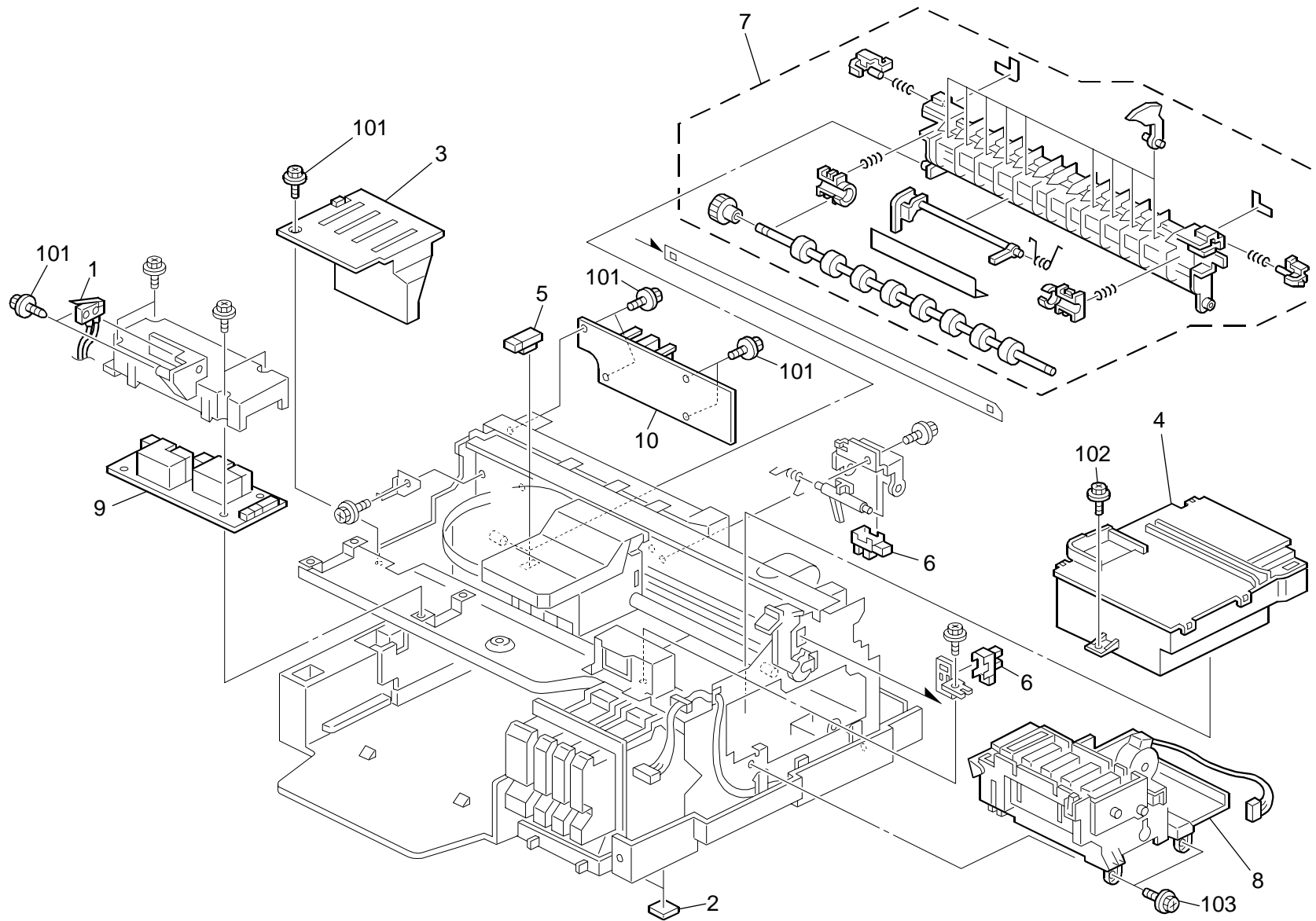
2.PAPAER CASSETTE (J001/J003)



Index No.	Part No.	Description	Q'ty Per Assembly
1	J001 0482	Paper Exit Section Ass'y	1
2	J001 0031	Paper Feed Unit (J001)	1
2	J003 0032	Paper Feed Unit (J003)	1
3	J001 3054	End Fence - A4	1

Index No.	Part No.	Description	Q'ty Per Assembly

3.FRAME SECTION (J001/J003)

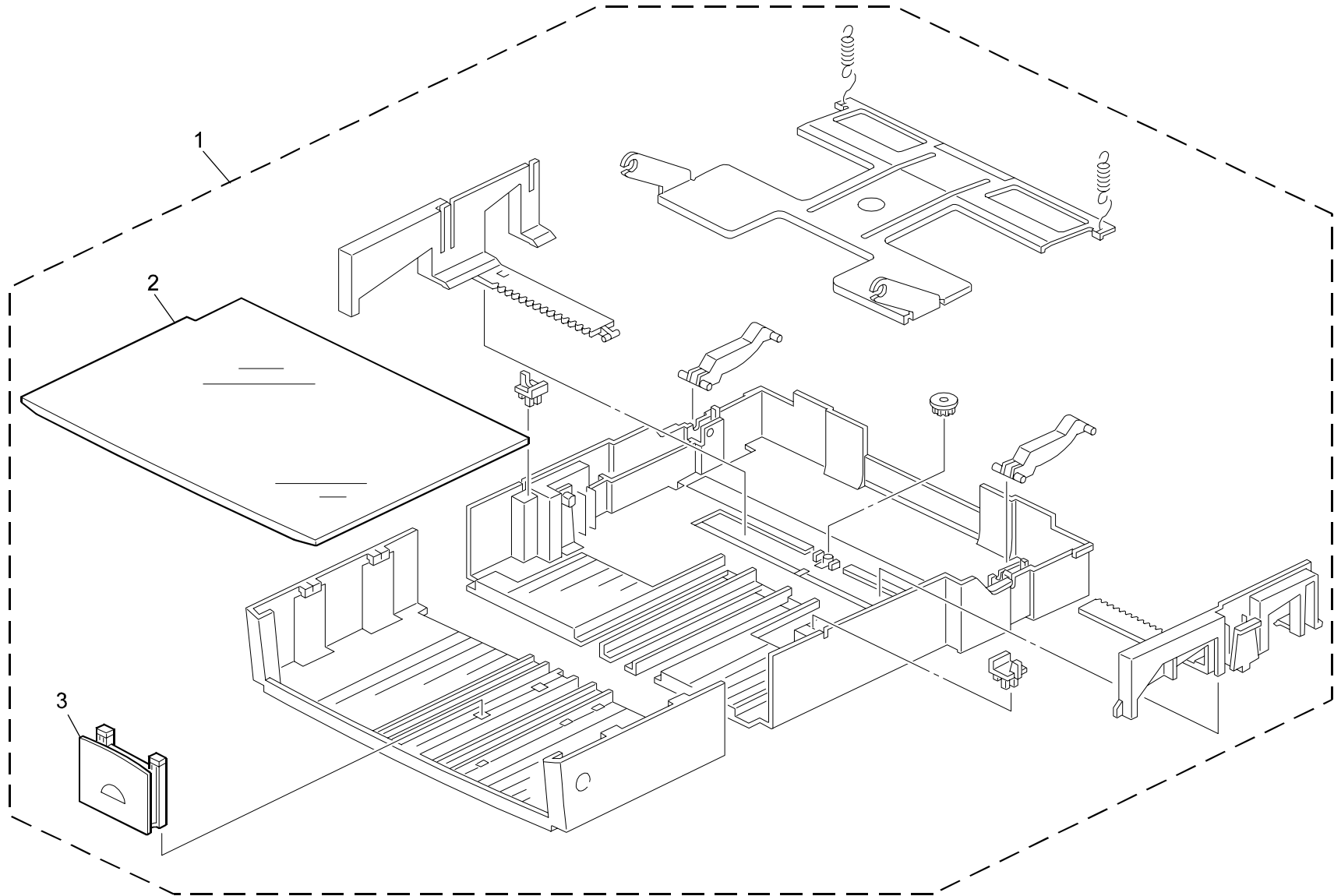


3.FRAME SECTION (J001/J003)

Index No.	Part No.	Description	Q'ty Per Assembly
1	J001 5484	Safety Switch Upper Cover	1
2	J001 1008	Rubber Foot	2
3	J001 4420	Gate (J001)	1
3	J003 4416	Gate (J003)	1
4	J001 4306	Waste Ink Collection Unit (J001)	1
4	J003 4306	Waste Ink Collection Unit (J003)	1
5	AW01 0099	Photo Refiection Sensor SG-113	1
6	AW02 0120	Photointerruptor - Flat	1
7	J001 2705	Reverse Guide Ass'y	1
8	J001 0410	Maintenance Unit (J001)	1
8	J003 0410	Maintenance Unit (J003)	1
9	J001 5350	Power Pack	1
10	J001 5318	Power Supply Unit	1

Index No.	Part No.	Description	Q'ty Per Assembly
101	0451 3006N	Tapping Screw - 3x6	
102	0452 3008N	Tapping Screw - M3x8	

4.PAPER FEED UNIT 1 (J502)

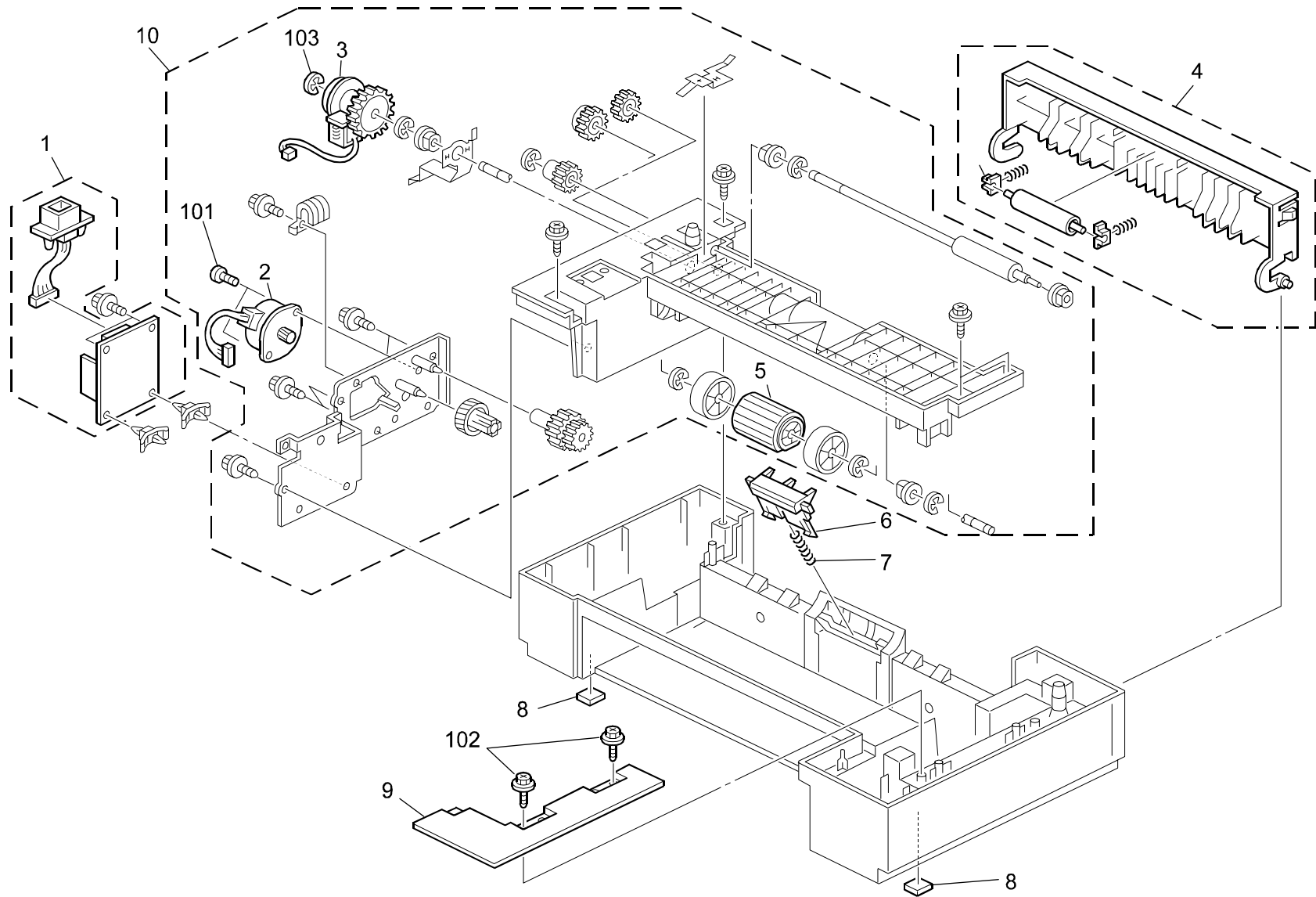


4.PAPER FEED UNIT 1 (J502)

Index No.	Part No.	Description	Q'ty Per Assembly
1	J502 3090	Paper Tray Unit	1
2	J502 3065	Cassette Cover Ass'y	1
3	J502 3075	End Fence Ass'y	1

Index No.	Part No.	Description	Q'ty Per Assembly
-----------	----------	-------------	-------------------

5.PAPER FEED UNIT 2 (J502)

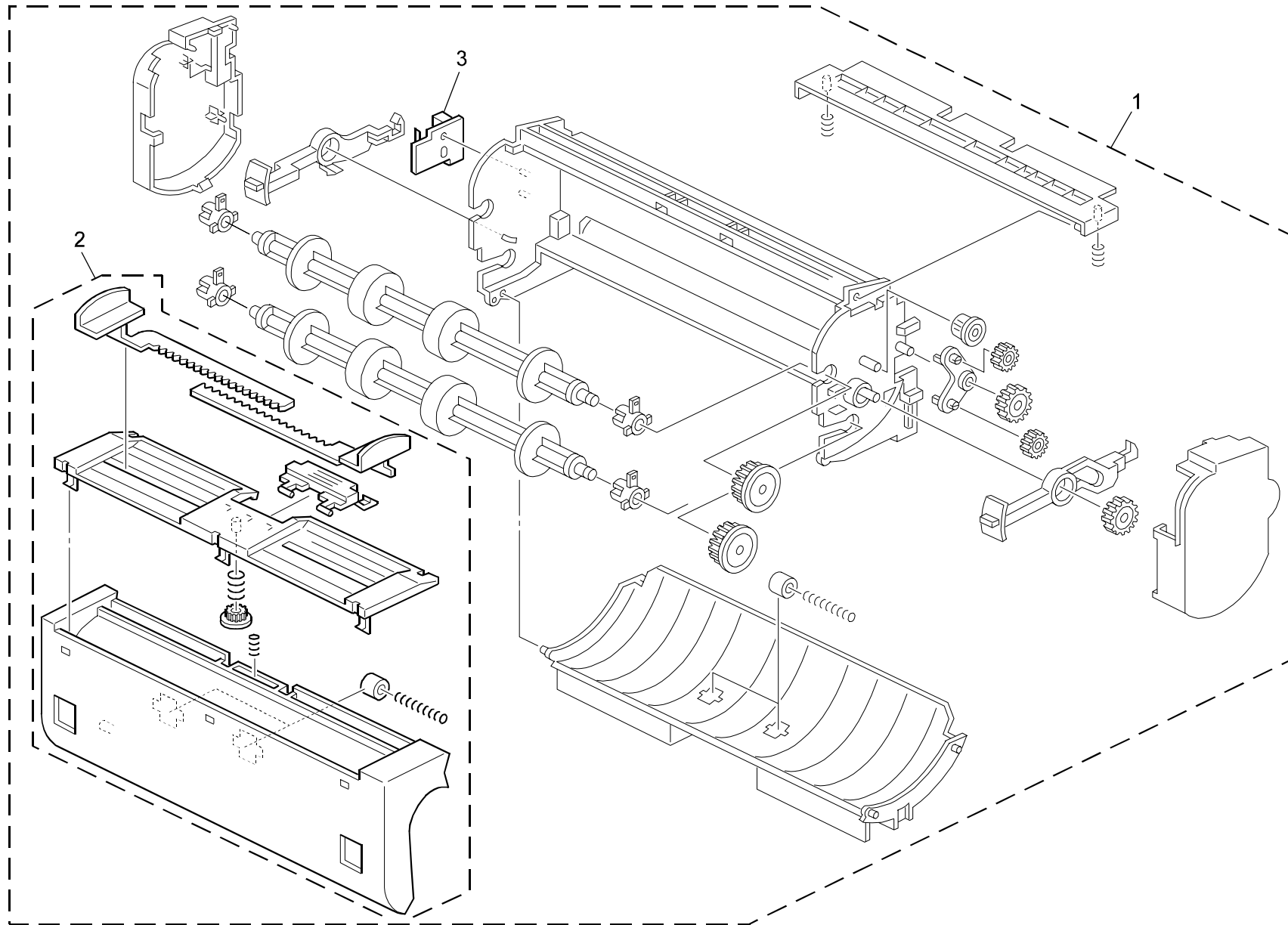


5.PAPER FEED UNIT 2 (J502)


Index No.	Part No.	Description	Q'ty Per Assembly
1	J502 5110	PCB Bank Ass'y	1
2	AX04 0208	Stepping Motor	1
3	J001 3023	Spring Clutch - 34z	1
4	J502 3200	Vertical Transport Cover Ass'y	1
5	J502 3010	Paper Feed Roller	1
6	J502 3251	Friction Pad Ass'y	1
7	G800 3147	Pressure Spring - 2.8n	1
8	G555 1055	Cushion - Frame	1
9	J502 1053	Right Frame Cover	1
10	J502 3100	Paper Feed Unit	1

Index No.	Part No.	Description	Q'ty Per Assembly
101	0451 3006N	Tapping Screw - 3x6	
102	0452 3008N	Tapping Screw - M3x8	
103	0720 0060E	Retaining Ring - M6	

6.DUPLEX UNIT (J500)



6.DUPLEX UNIT (J500)



Index No.	Part No.	Description	Q'ty Per Assembly
1	J003 0681	Duplex Unit	1
2	J003 6803	Guide Plate	1
3	J003 6830	PCB Duplex Unit	1

Index No.	Part No.	Description	Q'ty Per Assembly
-----------	----------	-------------	-------------------

Parts Index

Parts Index

Part No.	Description	Page and Index No.
J001 0031	Paper Feed Unit (J001)	5 - 2
J001 0156	Operation Panel Unit (J001)	3 - 8
J001 0157	Upper Cover (J001)	3 - 3
J001 0158	Front Cover (J001)	3 - 1
J001 0410	Maintenance Unit (J001)	7 - 8
J001 0482	Paper Exit Section Ass'y	5 - 1
J001 1008	Rubber Foot	7 - 2
J001 1528	Left Cover (J001)	3 - 2
J001 1529	Right Cover	3 - 7
J001 1530	Cartridge Upper Cover (J001)	3 - 9
J001 1531	Rear Outer Cover	3 - 6
J001 1532	Rear Cover (J001)	3 - 4
J001 1534	Cartridge Front Cover (J001)	3 - 10
J001 2705	Reverse Guide Ass'y	7 - 7
J001 3023	Spring Clutch - 34z	11 - 3
J001 3054	End Fence - A4	5 - 3
J001 4306	Waste Ink Collection Unit (J001)	7 - 4
J001 4420	Gate (J001)	7 - 3
J001 5318	Power Supply Unit	7 - 10
J001 5350	Power Pack	7 - 9
J001 5452	USB Cable	3 - 12
J001 5484	Safety Switch Upper Cover	7 - 1
J001 6621	Set Up Guide (J001)	3 - 13
J001 6622	CD-ROM Driver Manual (J001)	3 - 11
J003 0032	Paper Feed Unit (J003)	5 - 2
J003 0159	Upper Cover (J003)	3 - 3
J003 0161	Front Cover (J003)	3 - 1
J003 0162	Operation Panel Unit (J003)	3 - 8
J003 0410	Maintenance Unit (J003)	7 - 8
J003 0681	Duplex Unit	13 - 1
J003 1517	Left Cover (J003)	3 - 2
J003 1518	Cartridge Upper Cover (J003)	3 - 9
J003 1519	Rear Cover (J003)	3 - 4
J003 1521	Cartridge Front Cover (J003)	3 - 10
J003 4306	Waste Ink Collection Unit (J003)	7 - 4

Part No.	Description	Page and Index No.
J003 4416	Gate (J003)	7 - 3
J003 6621	Set Up Guide (J003)	3 - 13
J003 6622	CD-ROM Driver Manual (J003)	3 - 11
J003 6803	Guide Plate	13 - 2
J003 6830	PCB Duplex Unit	13 - 3

Part No.	Description	Page and Index No.
G555 1055	Cushion - Frame	11 - 8
G800 3147	Pressure Spring - 2.8n	11 - 7
J502 1053	Right Frame Cover	11 - 9
J502 3010	Paper Feed Roller	11 - 5
J502 3065	Cassette Cover Ass'y	9 - 2
J502 3075	End Fence Ass'y	9 - 3
J502 3090	Paper Tray Unit	9 - 1
J502 3100	Paper Feed Unit	11 - 10
J502 3200	Vertical Transport Cover Ass'y	11 - 4
J502 3251	Friction Pad Ass'y	11 - 6
J502 5110	PCB Bank Ass'y	11 - 1

Part No.	Description	Page and Index No.
AW01 0099	Photo Refiection Sensor SG-113	7 - 5
AW02 0120	Photointerruptor - Flat	7 - 6
AX04 0208	Stepping Motor	11 - 2

Part No.	Description	Page and Index No.
0451 3006N	Tapping Screw - 3x6	3 - 101
0451 3006N	Tapping Screw - 3x6	7 - 101
0451 3006N	Tapping Screw - 3x6	11 -101
0452 3008N	Tapping Screw - M3x8	3 - 102
0452 3008N	Tapping Screw - M3x8	7 - 102
0452 3008N	Tapping Screw - M3x8	11 -102
0720 0060E	Retaining Ring - M6	11 -103

Part No.	Description	Page and Index No.
----------	-------------	--------------------